

SPECIFICATIONS:

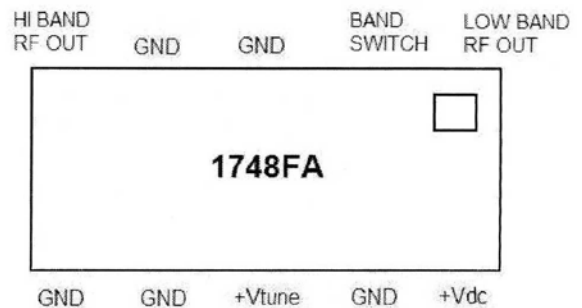
- **Frequency range (HIGH BAND):** 1660 - 1830 MHz @ 0 – 2.8V tuning voltage
- **Frequency range (HIGH BAND):** 1660 - 1970 MHz @ 0 - 6V tuning voltage
- **Frequency range (LOW BAND):** 885 - 920 MHz @ 0 - 2.8V tuning voltage
- **Frequency range (LOW BAND):** 855 - 1020 MHz @ 0 - 6V tuning voltage
- **Output level:** 1 - 6mW @ 2 - 3.2V power supply
- **Tuning sensitivity:** 30 MHz/V
- **Modulation:** to apply to the tuning pin
- **Power supply:** 2 - 3.2V, 10 - 28mA
- **Dimensions (W x L x H):** 7 x 9.6 x 1.8 mm
- **Package:** SMD



Output level Vs. power supply				
HIGH BAND				
Power supply		Tuning voltage	RF output	Frequency
V	mA	(V)	(dBm)	(MHz)
2	9	4	+1.8	1910
2.8	22	4	+3	1915
3.2	27	4	+3.5	1915
LOW BAND				
Power supply		Tuning voltage	RF output	Frequency
V	mA	(V)	(dBm)	(MHz)
2	10	4	+1.8	1481
2.8	23	4	+3	1478
3.2	28	4	+3.5	1471

Typical frequency Vs. tuning voltage		
(2.8V power supply)		
HIGH BAND		
Tuning voltage (V)	Frequency (MHz)	Output level (dBm)
0	1645	+6.6
1	1721	+6.8
2	1784	+7.1
3	1856	+7.6
4	1915	+8.2
5	1955	+8.5
6	1982	+8.7
LOW BAND		
Tuning voltage (V)	Frequency (MHz)	Output level (dBm)
0	846	+7
1	881	+6.6
2	909	+6.6
3	938	+6.7
4	971	+6.7
5	1005	+6.3
6	1037	+5.9

Top view



BAND SWITCH OPEN = HIGH BAND
 BAND SWITCH TO GND = LOW BAND

Bottom view

