

Standard

- D/K-OIRT
Eastern standard
- B/G-CCIR
Europe partly

Features

- TV IF filter with Nyquist slope and sound shelf
- Broad sound shelf for sound carriers at 32.40 MHz and 33.40 MHz
- Group delay predistortion
- Insertion attenuation typ. 16.0 dB

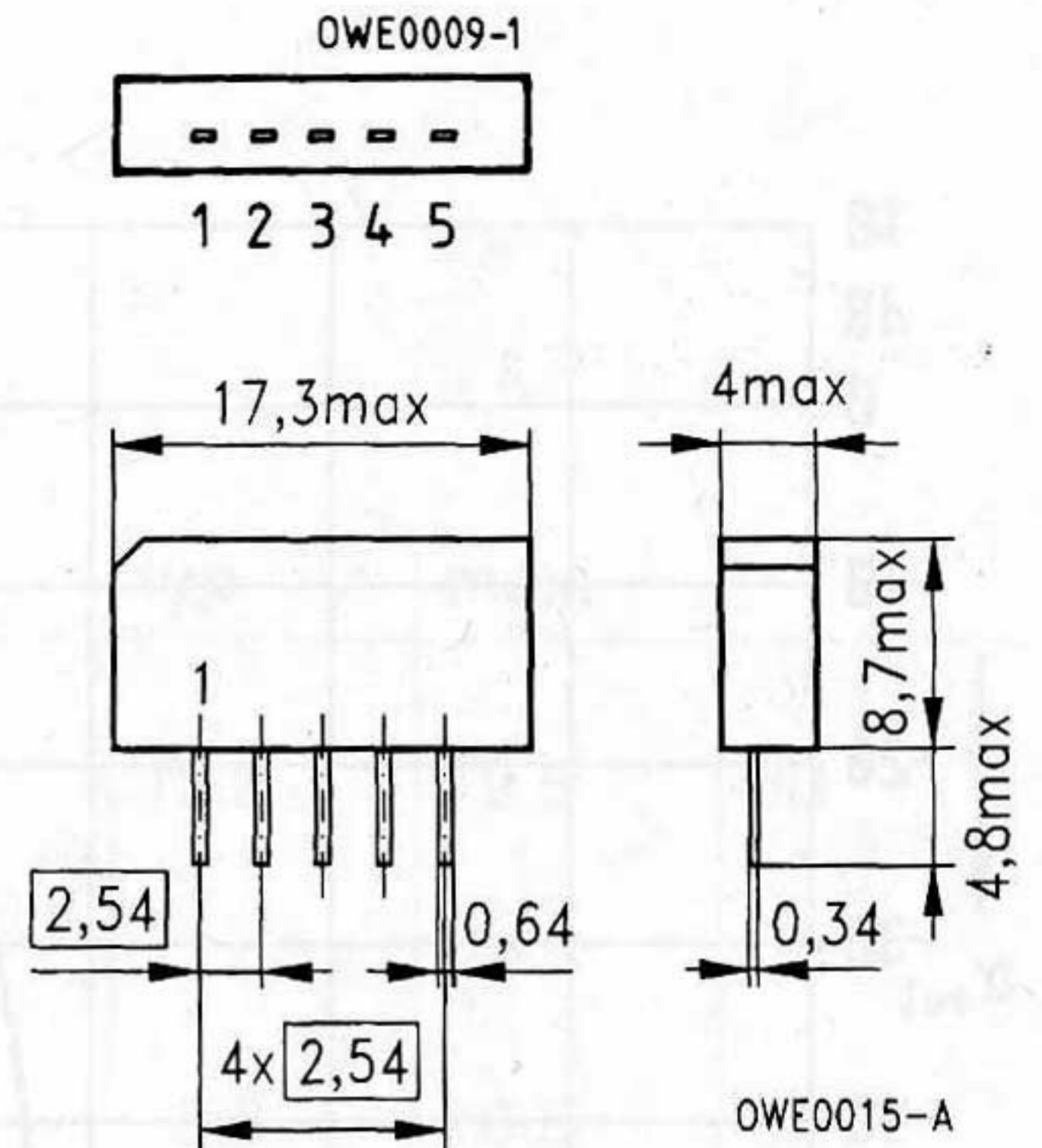
Terminals

- Tinned CuFe alloy

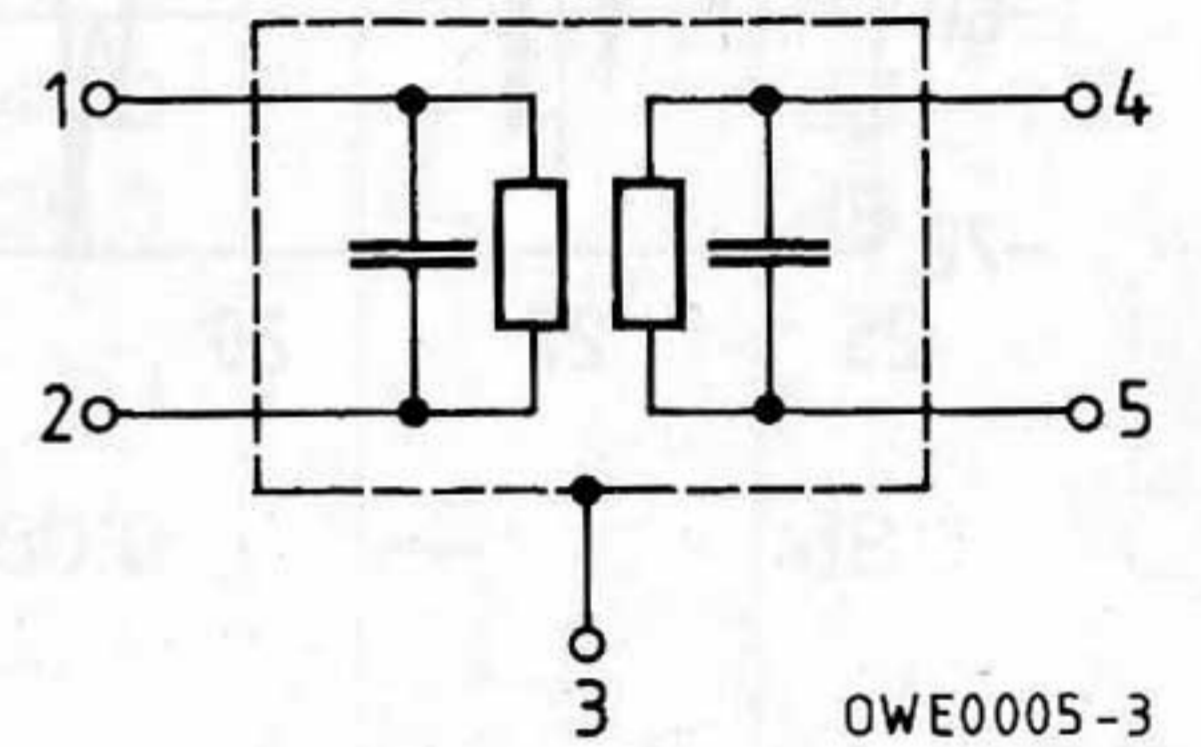
Pin configuration

- 1 Input
- 2 Input – ground
- 3 Chip carrier – ground
- 4 Output
- 5 Output

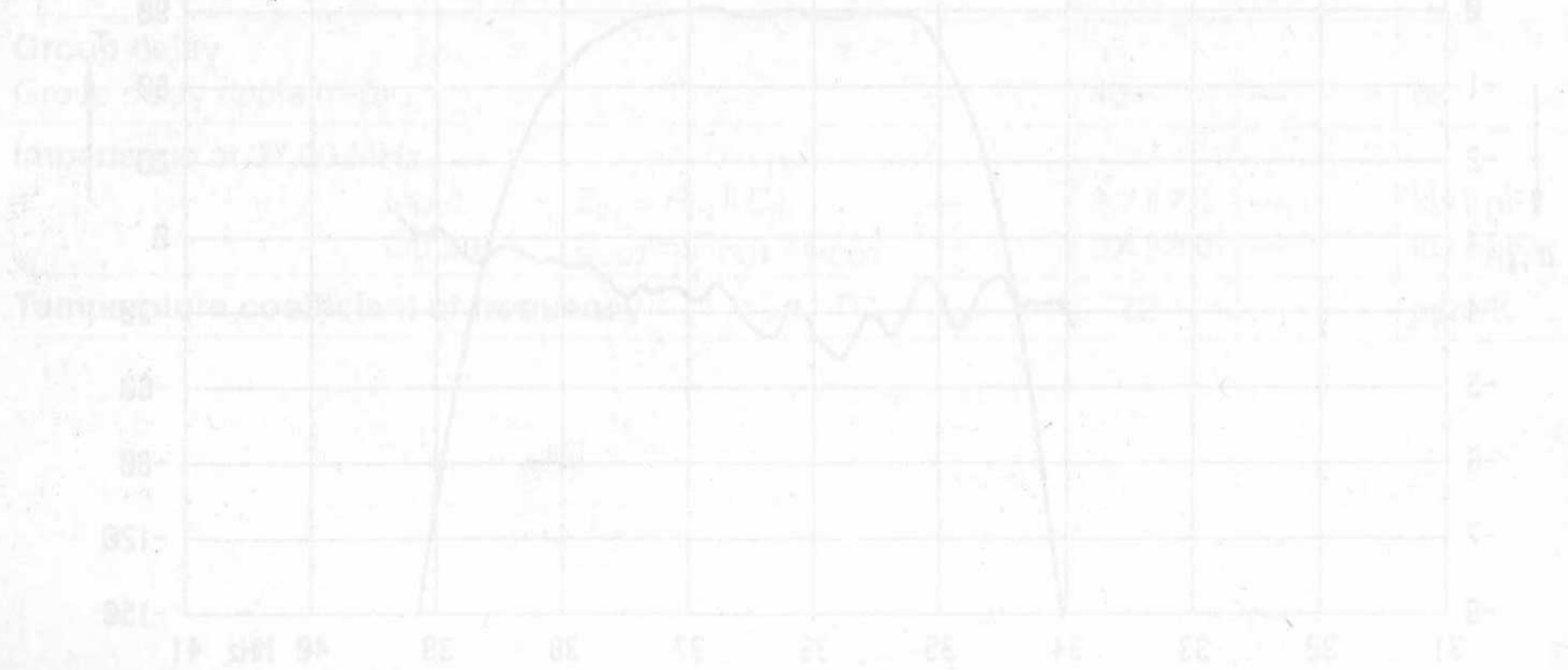
Plastic package **SIP 5 K**



Dimensions in mm, approx. weight 1.0 g



Type	Ordering code	Marking
OFW K 2950 M	B39389-K2950-M100	Type, date code, pin 1



Maximum ratings see page 44

Characteristics

Ambient temperature $T_A = 25\text{ °C}$
 Source impedance $Z_S = 50\ \Omega$
 Load impedance $Z_L = 2\text{ k}\Omega \parallel 3\text{ pF}$

		min.	typ.	max.	
Insertion attenuation					
Reference level for the following data	37.40 MHz	14.5	16.0	17.5	dB
Relative attenuation					
Picture carrier	38.90 MHz	4.6	5.6	6.6	dB
Color carrier	34.47 MHz	2.6	3.6	4.6	dB
Sound carrier	32.40 MHz	19.8	20.8	21.8	dB
	33.40 MHz	—	19.5	—	dB
Adjacent picture carrier	30.90 MHz	46.0	57.0	—	dB
Adjacent sound carrier	40.40 MHz	40.0	48.0	—	dB
Lower sidelobe	25.00 ... 30.90 MHz	38.0	45.0	—	dB
Upper sidelobe	40.40 ... 45.00 MHz	36.0	41.0	—	dB
Reflected wave signal suppression					
1.2 μ s ... 6.0 μ s after main pulse (test pulse: 250 ns, carrier frequency: 37.40 MHz)		44.0	52.0	—	dB
Feedthrough signal suppression					
1.2 μ s ... 1.1 μ s before main pulse (test pulse: 250 ns, carrier frequency: 37.40 MHz)		50.0	56.0	—	dB
Group delay					
Group delay predistortion (reference frequency 38.90 MHz)					
	36.20 MHz	—	- 65	—	ns
	34.47 MHz	—	- 5	—	ns
Impedance at 37.40 MHz					
Input:	$Z_{IN} = R_{IN} \parallel C_{IN}$	—	1.9 \parallel 11.6	—	k Ω \parallel pF
Output:	$Z_{OUT} = R_{OUT} \parallel C_{OUT}$	—	2.3 \parallel 4.2	—	k Ω \parallel pF
Temperature coefficient of frequency					
		—	- 72	—	ppm/K

Frequency response

