

# E-Series Surface Mount Mixer

## 5 - 1500 MHz

## EMRS-5, EMRSL-5

V3.00

### Features

- LO Power: +7 dBm
- Up to +1 dBm RF
- Surface Mount

### Specifications @ 25°C

Frequency Range		
RF		5 - 1500 MHz
LO		5 - 1500 MHz
IF		DC - 1000 MHz
Conversion Loss (dB)		
10 - 750 MHz	Typical	Maximum
	6.5	7.5
5 - 1500 MHz	7.5	9.5
Isolation (dB)		
	Typical	Minimum
LO to RF		
5 - 50 MHz	60	40
50 - 750 MHz	40	20
750 - 1500 MHz	30	18
LO to IF		
5 - 50 MHz	55	30
50 - 750 MHz	30	18
750 - 1500 MHz	15	8

### Operating Characteristics

Impedance	50 Ohms Nominal
RF input for 1dB Compression	+1 dBm

### Ordering Information

Part No.	Packaging
EMRS-5	SM-1 in Tubes
EMRS-5TR	SM-1 in Forward Tape & Reel
EMRSL-5	SM-24 in Tubes
EMRSL-5TR	SM-24 in Forward Tape & Reel

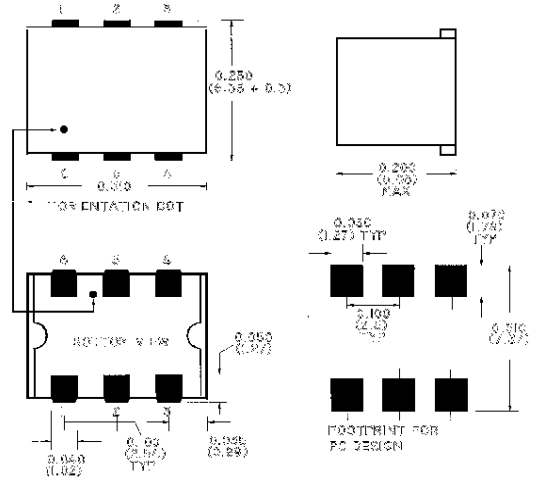
### Absolute Maximum Ratings

Parameter	Absolute Maximum
RF Power	50 mW
Peak IF Current	40 mA
Storage Temperature	-55°C to 100°C
Operating Temperature	-55°C to 100°C
Pin Temperature (10 Seconds)	260°C

### Pin Configuration

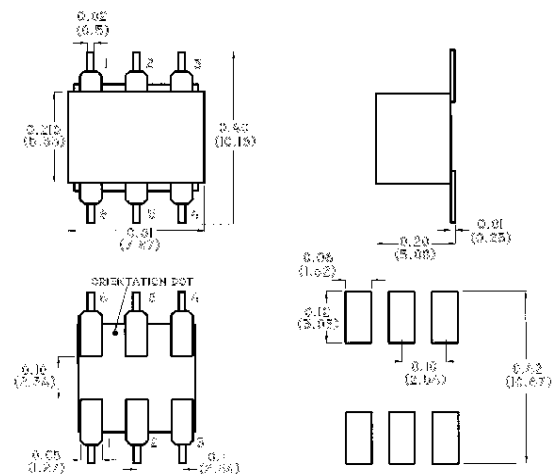
Function	Pin No.
LO	1
RF	4
IF	5
Ground	2,3,6

### SM-1



Dimensions in ( ) are in mm.  
Unless Otherwise Noted: .x = ±0.04 (1.00)  
.xx = ±0.02 (0.50)  
.xxx = ±0.010 (0.250)

### SM-24



Dimensions in ( ) are in mm.  
Unless Otherwise Noted: .x = ±0.04 (1.00)  
.xx = ±0.02 (0.50)  
.xxx = ±0.010 (0.250)

Specifications Subject to Change Without Notice.

S 0074 B, S 0389 C

**M/A-COM, Inc.**

North America: Tel. (800) 366-2266  
Fax (800) 618-8883

■ Asia/Pacific: Tel. +81 (03) 3226-1671  
Fax +81 (03) 3226-1451

■ Europe: Tel. +44 (1344) 869 595  
Fax +44 (1344) 300 020