

MI DRG. NO.

8762F

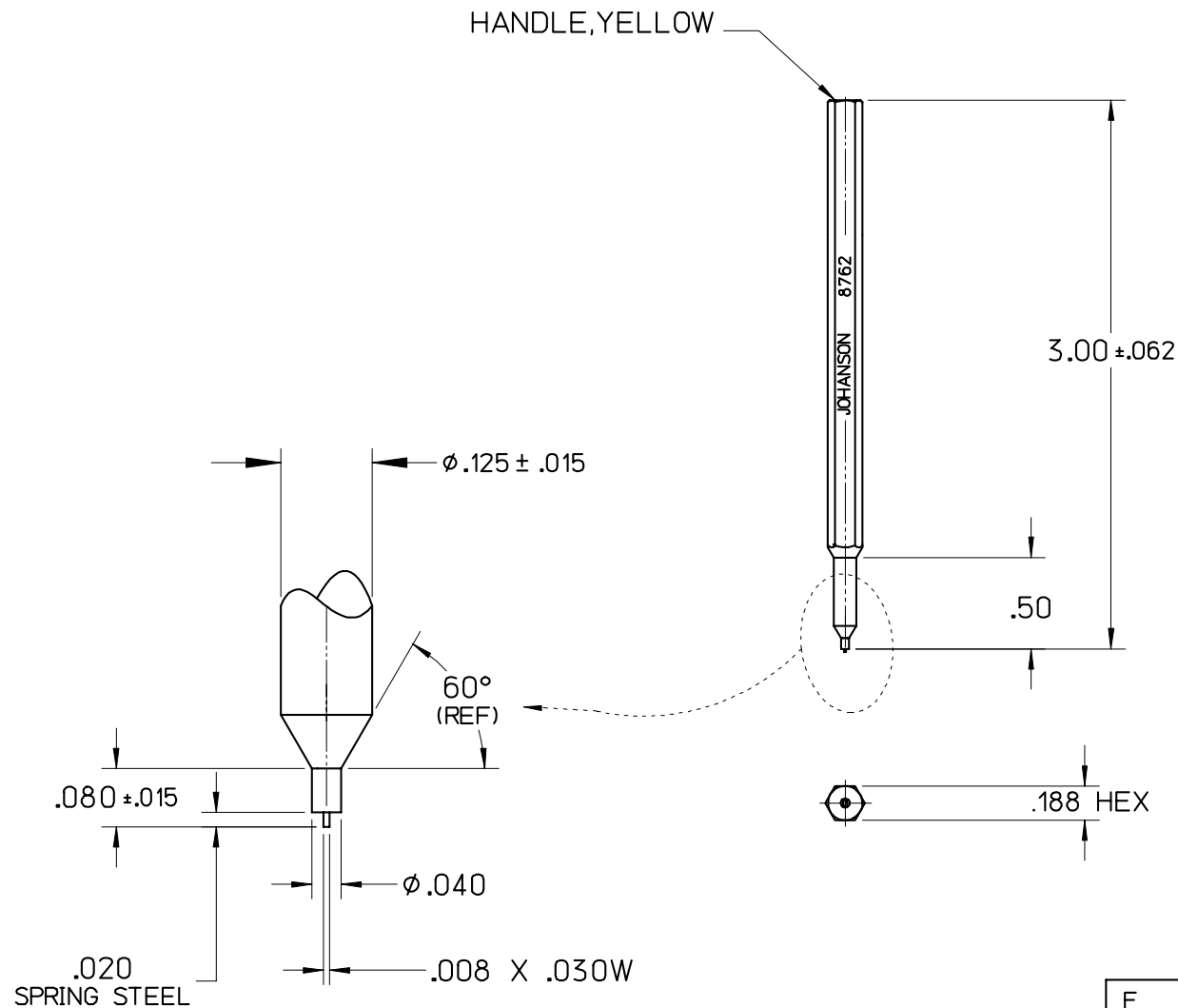
REV.

**8762****F****TUNING TOOL**

NOTES

FILE: AIROUT

1. MATERIAL: DELRIN & SPRING STEEL
2. DIMENSIONS ARE IN INCHES.



F	03/28/00	MLD	-	-	000-127
LEVEL	DATE	DRN.	CHK.	APP.	ECN

## REVISIONS

DRN.	CHK.	APP.	SCALE
MLD	TAM	JHT	1" = 1"
DATE	DATE	DATE	.XX ± .015
03/28/00	03/31/00	04/03/00	.XXX ± .005

**JOHANSON MANUFACTURING CORPORATION**

ROCKAWAY VALLEY ROAD, BOONTON, N.J. 07005 (973)334-2676 FAX (973)334-2954  
ELECTRONIC ACCURACY THROUGH MECHANICAL PRECISION

PROPRIETARY INFORMATION CONTAINED NOT TO BE USED WITHOUT JOHANSON MANUFACTURING CORPORATION APPROVAL