



1 W

DC- 3 GHz

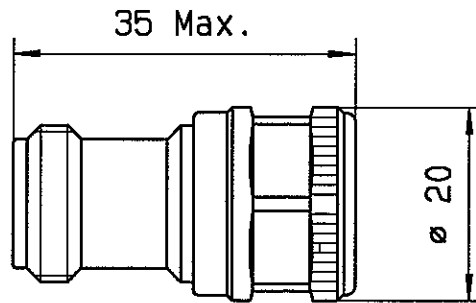
N

COAXIAL ATTENUATOR

issue  
14.oct.99

Page  
1 / 1

**DRAWING**



General tolerances: +/- 0.5 mm

**R F CHARACTERISTICS**

FREQUENCY RANGE : DC - 3 GHz  
IMPEDANCE : 50 Ohms  
ATTENUATION - NOMINAL : 3 dB

FREQUENCY	DC- 2 GHz	2 - 3 GHz
V.S.W.R	<= 1.20	<= 1.30
DEVIATION (dB)	+0.3 / -0.3	+0.5 / -0.5

PEAK POWER at 25°C (1µs,1%.) : 100 W  
AVERAGE POWER at 25°C : 1 W

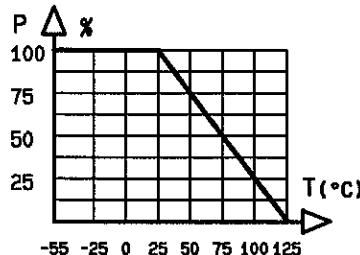
**MECHANICAL CHARACTERISTICS**

CONNECTORS : N male/female per MIL-C 39012  
WEIGHT : < 43 g

**ENVIRONMENTAL CHARACTERISTICS**

OPERATING TEMPERATURE RANGE (°C) : -40 , +85  
STORAGE TEMPERATURE RANGE (°C) : -40 , +85

Power derating  
Versus temperature



This information is given as an indication. In the continual goal to improve our products, we reserve the right to make any modifications judged necessary

4112-9212

CREATION				
N° : 990400545				
PEN/EP: 99293/2				
Name: MG				
Date: 14. oct. 99				
APP.: AF				
ISSUE	REVISIONS	NAME	APPR.	

**RADIALL®**

101. rue P. Hoffmann -Z.I Ouest-  
93116 ROSNY/BOIS Cedex-FRANCE  
Phone: 33(1)49353535  
Fax : 33(1)48546363  
Tlx RADIA 235220F