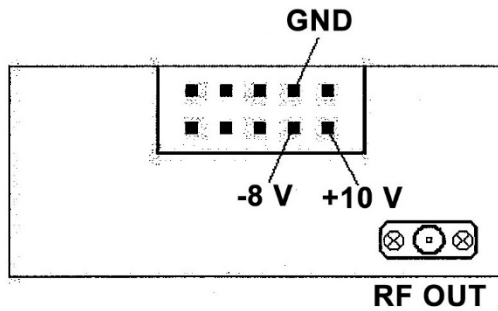
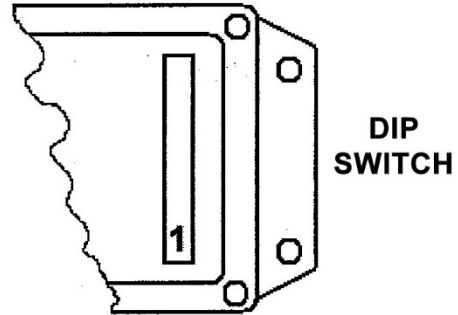


DATASHEET



FRONT VIEW



INNER VIEW

Tuning steps	
Dip switch number	Frequency step
1	500 kHz
2	1 MHz
3	2 MHz
4	4 MHz
5	8 MHz
6	16 MHz
7	32 MHz
8	64 MHz
9	128 MHz

Technical data:	
Frequency range:	3822 – 3957.5 MHz (max. 3960 MHz)
Tuning step:	min. 500 kHz, max. 128 MHz
Output level:	+15 dBm (30 mW)
Supply voltage:	+10 V 190 mA / -8 V 30 mA
Stability:	< 1 ppm/year, < 7 ppm @ -30 / +75 °C
Phase noise:	< -84 dBc / Hz @ 10 kHz
Size:	50 x 90 mm, h 30 mm