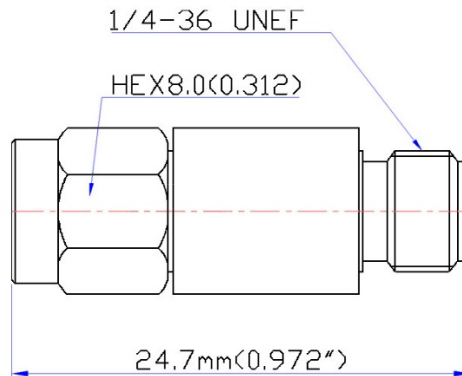


DATASHEET

Electrical & Mechanical Specification



| | |
|------------------------|----------------------------|
| Frequency range | dc - 8 GHz |
| Attenuation | 18 dB (±0.6) |
| Power handling | 2 W (bidirectional) |
| VSWR | 1.20 (max.) |
| Impedance | 50 Ω |
| Connectors | SMA plug / jack |
| Body material | Stainless steel |
| Body finish | Passivated |
| Center contact | Brass, BeCu / Gold plating |
| Insulator | PTFE |



Attenuation & Return Loss Vs. Frequency

