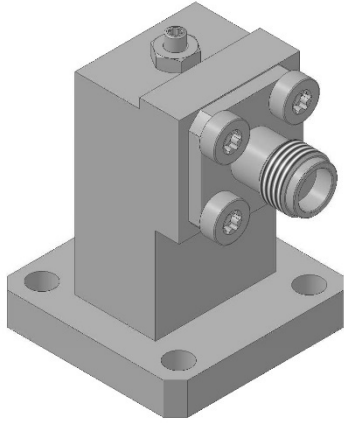


**DATASHEET**



**ELECTRICAL SPECIFICATIONS:**

Frequency range	18.0 ÷ 26.0 GHz
Impedance	50 Ω
Return loss	≥19 dB

**MATERIAL SPECIFICATIONS:**

	Materials	Finishes
Body	Aluminium Alloy	Cu(5 μm) Ag(≥3 μm)

