

DATASHEET



ELECTRICAL SPECIFICATIONS:

Frequency range	dc – 4 GHz
Impedance	50 Ω
Voltage rating	750V/50Hz max.
Insulation resistance	5000 MΩ min.
Temperature range	-65 / +165 °C
Life time	500 mating

MATERIAL SPECIFICATIONS:

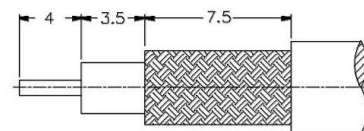
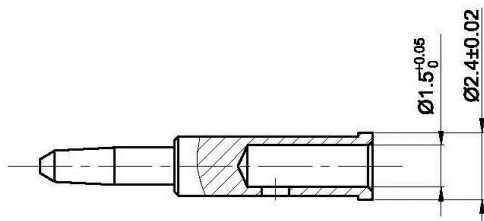
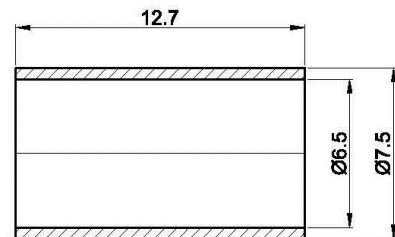
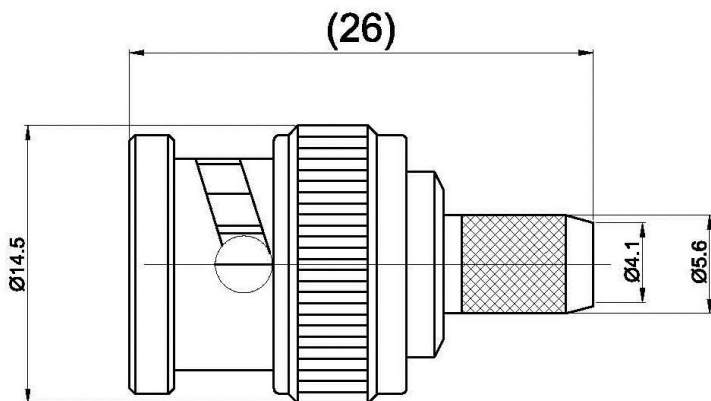
	Materials	Finishes
Connector body	Brass	Nickel plating
Center contact	Brass	Gold plating
Ferrule	Brass	Nickel plating
Insulator	PTFE	-

CABLE GROUP:

LMR240



unit: mm



RECOMMENDED
CABLE STRIPPING DIM'S