

DATASHEET



ELECTRICAL SPECIFICATIONS:

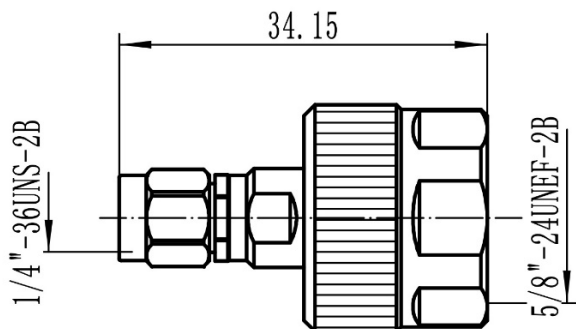
Impedance	50 Ω
Frequency range	dc – 18 GHz
VSWR	≤ 1.15
Operating Temp.	-55°C / +165°C

MATERIAL SPECIFICATIONS:

	Materials	Finishes
Body, Nut	Stainless Steel	Passivated
Center contact	BeCu	Gold plating
Insulator	PEI (Polyetherimide)	-



Unit: mm



Test Data

