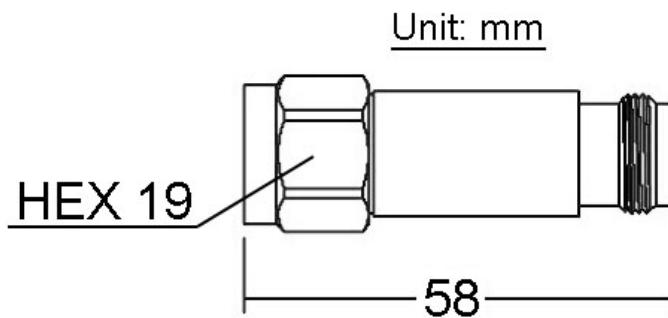


DATASHEET

Electrical & Mechanical Data



Frequency range	dc - 3 GHz
Attenuation	6 dB (± 0.5)
Power handling	2 W (bidirectional)
VSWR	1.22 (max.)
Impedance	50 Ω
Connectors	N plug / jack
Body material	Brass
Body finish	Nickel plated
Center contact	Brass, BeCu / Gold plating
Insulator	PTFE



Attenuation & Return Loss Vs. Frequency

