

**DATASHEET**



**ELECTRICAL SPECIFICATIONS:**

Frequency range	dc – 11 GHz
Impedance	50 Ω
VSWR	≤1.30
Working voltage	1 kV <sub>RMS</sub>
Insulation resistance	5000 MΩ min.
Temperature range	-55 / +125 °C
Lifetime	>500 mating

**MATERIAL SPECIFICATIONS:**

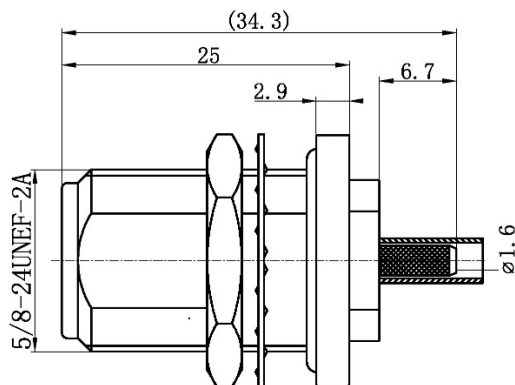
	Materials	Finishes
Connector body	Brass	Nickel plating
Nut, washer	Bronze	Nickel plating
Center contact	Bronze	Gold plating
Insulator	PTFE	-
Gasket	Silicon rubber	-

**CABLE GROUP:**

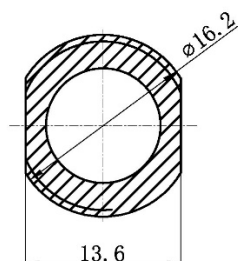
RG174 / RG188 / RG188A / RG316 / LMR100



**Unit: mm**



Recommended Mounting Hole



Cable Stripping Dimension

