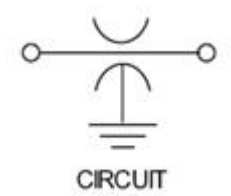
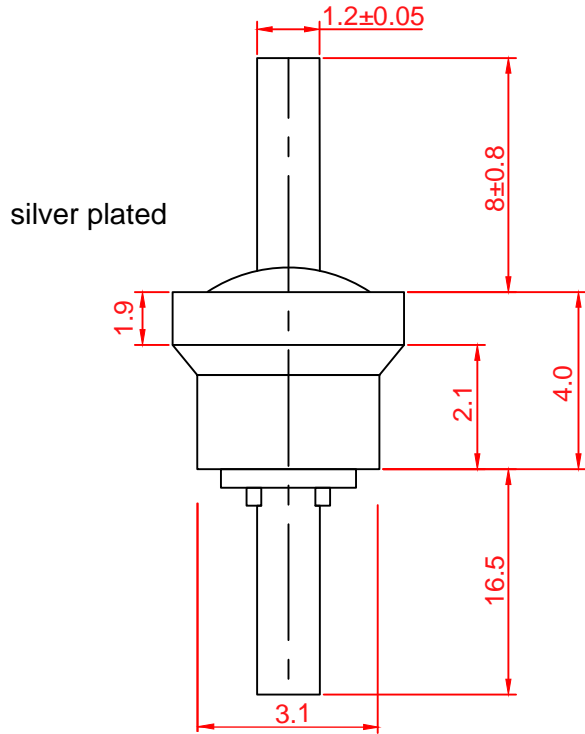
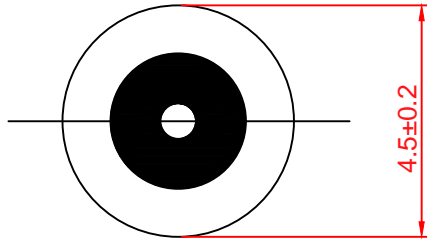


# 1. PHYSICAL CHARACTERISTICS(mm)



# 2. ELECTRONICAL SPECIFICATIONS

NO	ITEM	TECHNICAL DATA
1	Capacitance	1000pF
2	Capacitance Tolerance	+80% , -20%
3	Circuit	C
4	Rated Current	15A
5	Working Voltage	100VDC
6	Dielectric Withstanding Voltage	Apply voltage to 600VDC for 2 seconds
7	Insulation Resistance	>10000M Ohms
8	Dissipation Factor	< 5.0%
9	Temp. range	-55-+85°C
10	Installation	Welding
11	Thread Size	4.5H3.1

RoHS Compliant

NAME	Capacitance		
CUSTOMER P/N	PP-76-102-4.5H3.1	Date	2023-11-1
		Rev. A1	Page 1/1
	electronicRF		

Drawing changes	Rev.	
	Rev.	